

design LUDOVICA+ROBERTO PALOMBA

1997

## 5057 Twin Set 42

Under-counter basin 42 cm

•WITH OVERFLOW •WITHOUT TAP LEDGE

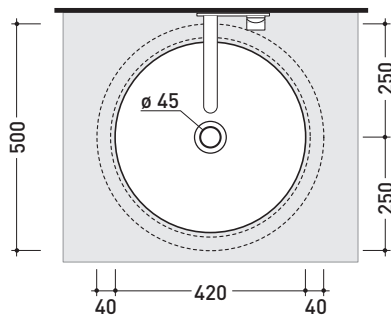
Complements: **Line taps basin:** ONE - NOKÈ - FOLD - X1  
**Line accessories:** TWO - HOOP - NOKÈ - FOLD

Technical accessories: **Chrome siphon (SIFL/CR) - Telescopic chrome siphon (SIFL066)**  
**Stop & Go drain (PLSG)**  
**Ceramic Stop&Go drain (PLCE)**  
**Two piece set chrome tap filters (RF026)**

Package dim. 44 x 20 x 44 cm | Weight 10 kg | Pz. Pallet n° 24

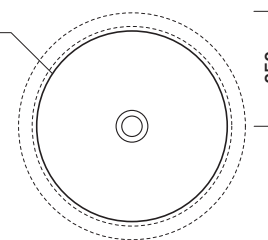


CE UNI EN 14688 - CL20 Dop-No14688

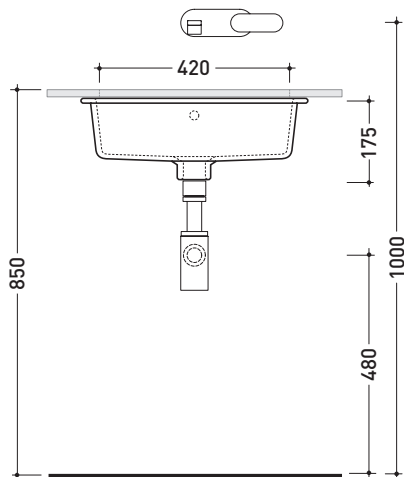


vista zenitale / zenital view

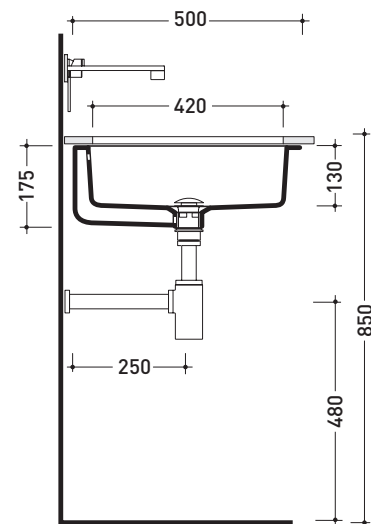
foro consigliato sul piano ø 420  
 suggested hole on the top ø 420



vista zenitale / zenital view



vista frontale / frontal view



sezione longitudinale / section

sizes in mm

Please consider a 2% tolerance on indicated measurements

CERAMIC: glossy finish



matt finish



<http://www.ceramicaflaminia.it/en/products/322-twin>

©ceramicaflaminiaspa - All rights reserved. Unauthorized copying, publication, reproduction as well as partial reproduction are prohibited

may 2019

